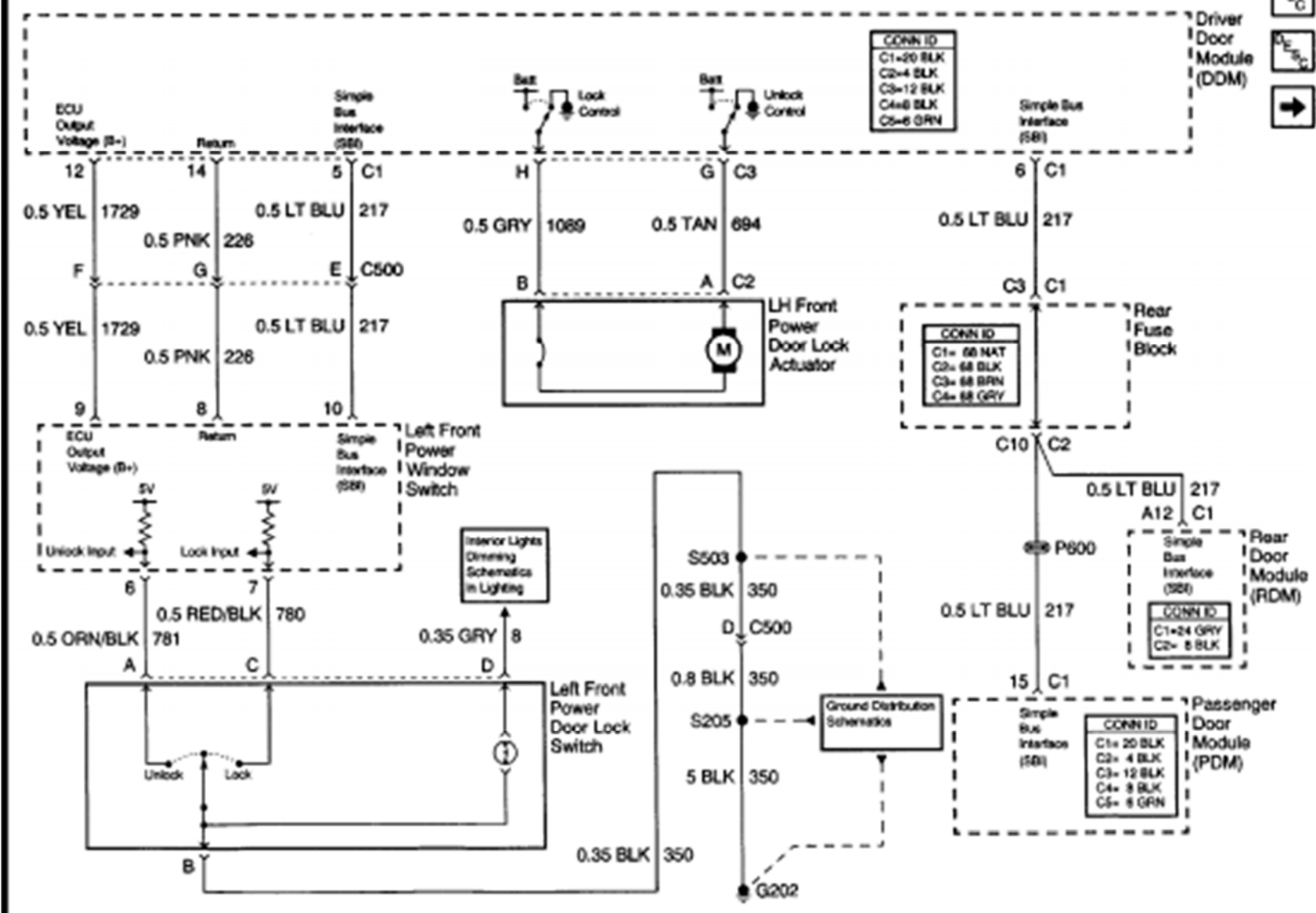
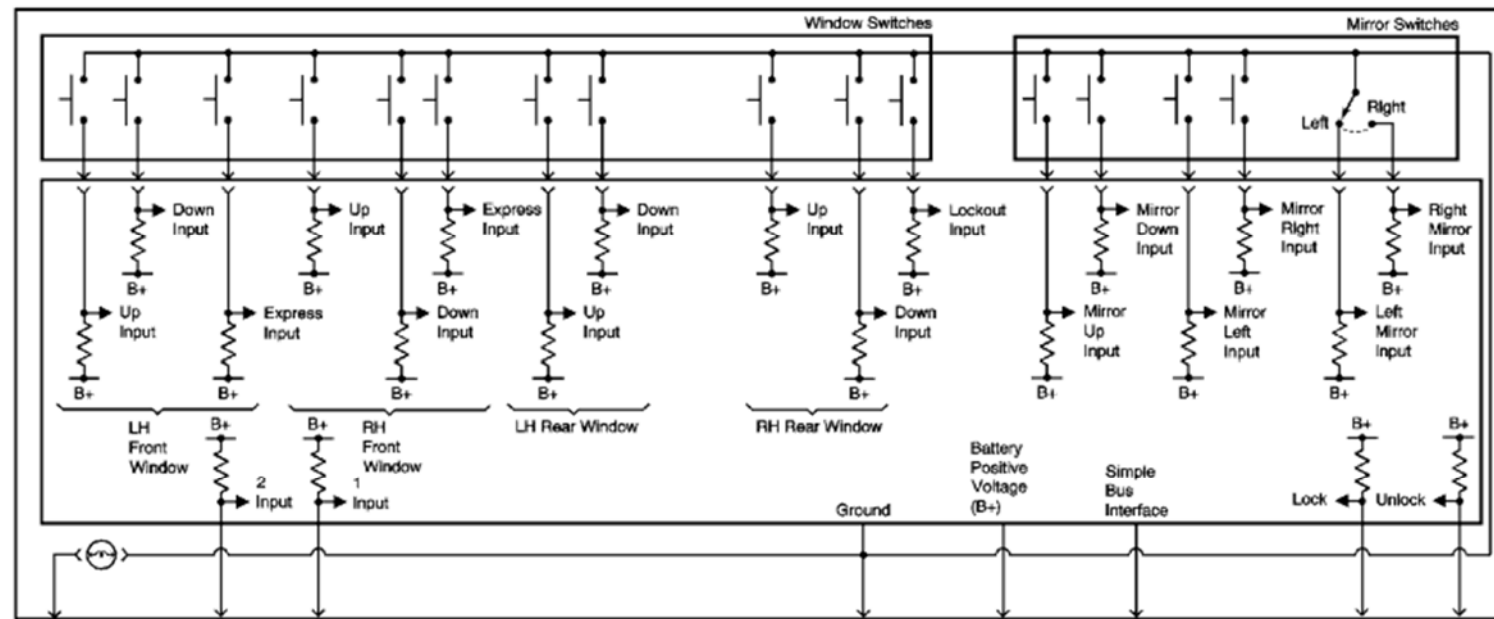


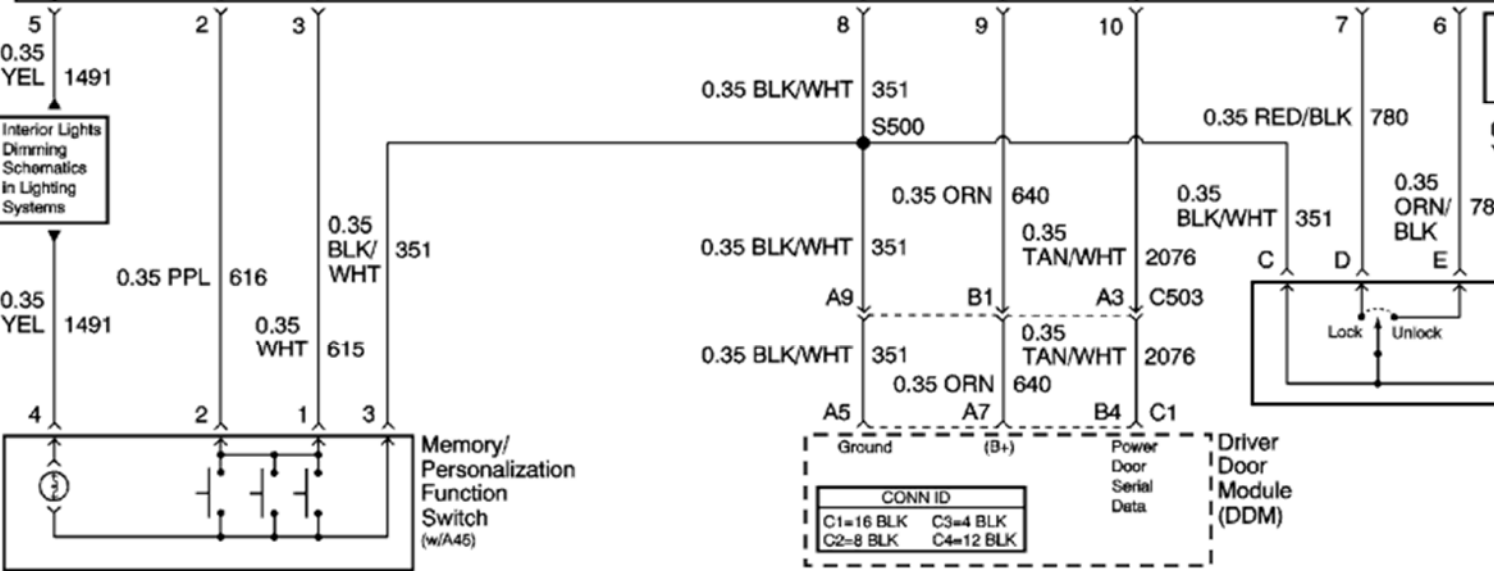
DESIGN







Driver Door Switch Assembly (DDSA)



Interior Lights Dimming Schematics in Lighting Systems

Interior Lights Dimming Schematics in Lighting Systems

Interior Lights Schematics in Lighting Systems

Door Lock Switch - Driver

CONN ID			
C1=16 BLK	C3=4 BLK		
C2=8 BLK	C4=12 BLK		

Power Door Serial Data

Driver Door Module (DDM)